

Turns DOMESTIC WASTE WATER into REUSABLE WATER

Germany's first certified small scale waste water treatment
with membrane bioreactor technology



Reference special applications

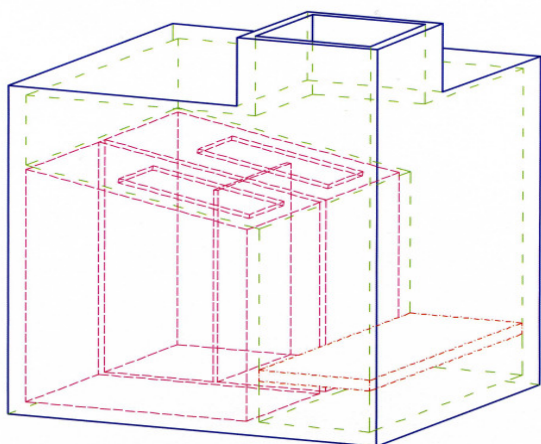
Type	BUSSEMF type MF-E-HKA 8	
Location	Germany	
Commissioning	2006	
Size of plant (population equivalent)	[p. e.]	5-8
Required space (standard version)	[L x W x H]	2,5 m x 2,2 m x 2,2 m + dome
Additional requirements	-	
Reuse of water	Service water use for toilet flushing, garden irrigation	



Overall view



Manhole



3D-design of underground module



Membrane modules