

Turns DOMESTIC WASTE WATER into REUSABLE WATER

Germany's first certified small scale waste water treatment
with membrane bioreactor technology

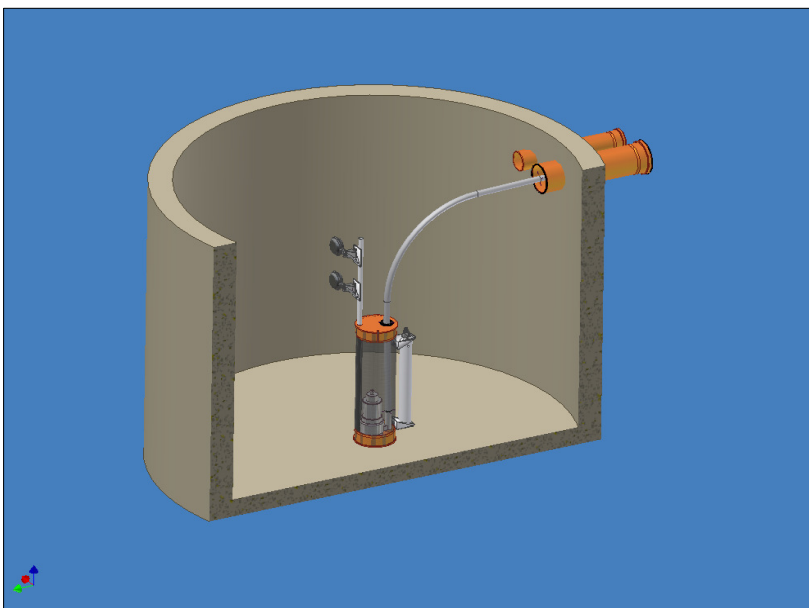


Reference special applications

Type	BUSSEMF type MF-G-HKA 16 Container	
Location	Shooting range Astfeld - stand 1 D-38685 Langelsheim	
Commissioning	10.10.2001	
Size of plant (population equivalent)	[p. e.]	16
Required space	[m x m]	2,0 x 3,0
Additional requirements	-	
Reuse of water	-	



Container plant



Septic tank with pump